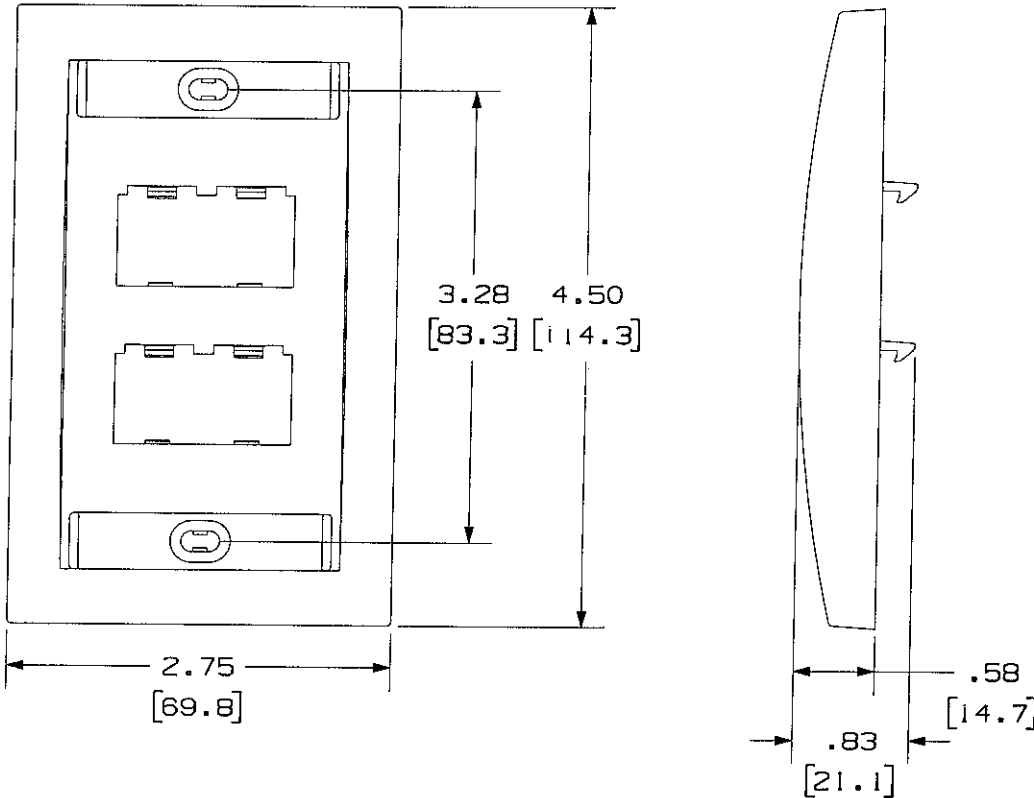



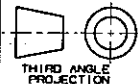
THIS COPY IS PROVIDED ON A RESTRICTED BASIS AND IS NOT TO BE USED IN ANY WAY DETRIMENTAL TO THE INTERESTS OF PANDUIT CORP.

PANDUIT P/N	WEIGHT
CFPE4**Y	.71 LB/10 PCS (322.1 g/10 PCS)



- NOTES:
1. SEE CURRENT CATALOG FOR ADDITIONAL PART NUMBER SUFFIXES TO INDICATE COLOR AND OR PACKAGE QUANTITY.
 2. SEE CATALOG FOR COMPLETE LIST OF PARTS APPLICABLE FOR USE WITH THIS PART.
 3. DIMENSIONS IN [] ARE IN METRIC.
 4. PART INCLUDES:
 - 1- FACEPLATE
 - 2- LABEL
 - 2- LABEL COVER
 - 2- MOUNTING SCREW

NETWORK SYSTEMS
MAY 25 2006
ENGINEERING DEPT

DRAWING FILENAME		SIZE
M02479EL_DC118_00A.PRT		A
MINI-COM 4 POSITION EXECUTIVE SERIES FACEPLATE CUSTOMER DRAWING		
		I.I. NUMBER
TINLEY PARK, ILL 60477		N/A
		PRODUCT SPEC
ALL DIMENSIONS ARE GIVEN IN INCHES, UNLESS OTHERWISE SPECIFIED. DIMENSIONAL TOLERANCES ARE: (.X) ± (.XXX) ± .010(.31) (.XX) ± .031(.8) ANGLES ±		WORK INSTRUCTION
THIRD ANGLE PROJECTION		N/A
DRAWN BY: JsP		SCALE
DATE: 4-26-06		NONE
MATERIAL: ABS		PART NO.
CHECK'D: <i>[Signature]</i>		CFPE4**Y
ECN - R CUST SUP OTH		DRAWING NO.
DESCRIPTION: RELEASED TO PRODUCTION		02479-118

REV	DATE	BY	CHK	DESCRIPTION	ECN	R	CUST	SUP	OTH
R	4-26-06	JsP	<i>[Signature]</i>	RELEASED TO PRODUCTION	02479-118				